

DWG NO. 25-A-FFN-XX
 SHEET 1
 REV A

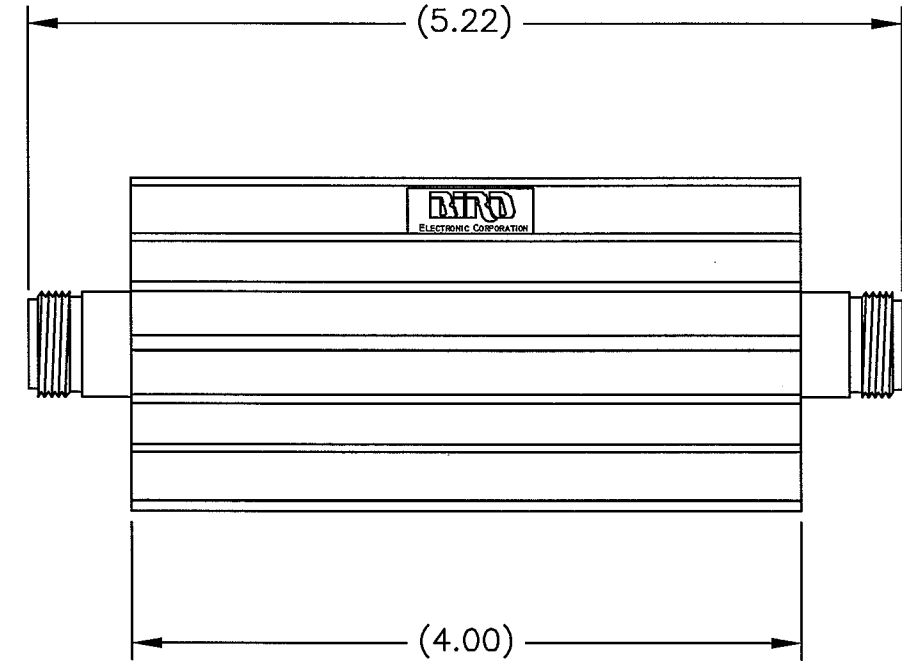
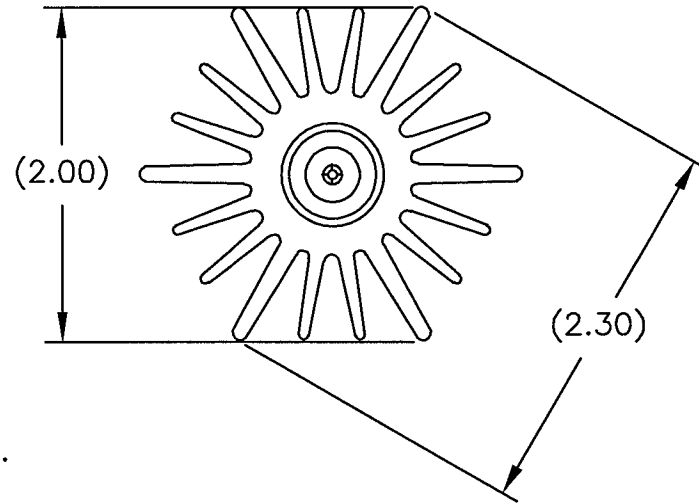
SPECIFICATIONS:

25 WATT BI-DIRECTIONAL COAXIAL ATTENUATOR
 POWER RATING: 25 WATTS MAXIMUM @ 40°C.
 30 WATTS MAXIMUM @ 25°C.

CONNECTORS: N-TYPE FEMALE
 FREQUENCY RANGE & VSWR: DC TO 1GHz AT 1.10:1 MAX.
 1GHz TO 4GHz AT 1.25:1 MAX.

IMPEDANCE: 50 OHMS, NOMINAL
 AMBIENT TEMPERATURE RANGE: -40°C TO +40°C
 OPERATING POSITION: ANY
 COOLANT: DRY (CONVECTION COOLED)
 FINISH: BLACK ANODIZED COOLING FINS, SILVER OR TRI-ALLOY PLATED CONNECTORS
 NOMINAL SIZE: 5.22"L X 2.30" DIA.
 WEIGHT: APPROX. 9 OZ.

REVISIONS				
ZONE	REV	DESCRIPTION	DATE	APPROVED
	A	ECN #0185	12-18-97	<i>MLJ</i>



NOTE:

FOR VALUES NOT LISTED, REFER TO THE NEXT HIGHER ATTENUATION LEVEL FOR SPECIFICATIONS. FOR ATTENUATION VALUES GREATER THAN THE HIGHEST LISTED ATTENUATION VALUE, REFER TO THE VALUE 1/2 THE DESIRED ATTENUATION LEVEL, THEN DOUBLE THE LISTED SPECIFICATION VALUES, UNLESS OTHERWISE SPECIFIED.

XX = DASH NUMBER (dB VALUE)

-30	30	±0.8 dB	±1.3 dB
-20	20	±0.5 dB	±1.0 dB
-10	10	±0.4 dB	±0.8 dB
-06	6	±0.4 dB	±0.6 dB
-03	3	±0.3 dB	±0.5 dB
-02	2	±0.3 dB	±0.5 dB
-01	1	±0.3 dB	±0.5 dB
DASH NO.	dB ATTEN.	DC - 1GHz ATTENUATOR	1 - 4GHz ACCURACY ±dB

UNLESS OTHERWISE SPECIFIED
 DIMENSIONS ARE IN INCHES
 TOLERANCES ARE:
 FRACTIONS DECIMALS ANGLES
 ± 1/64 .XX = ±.010 ± 30'
 .XXX = ±.005
 MILLIMETERS
 .X = ±.4
 .XX = ±.12
 DO NOT SCALE DRAWING

THIS DRAWING IS THE PROPERTY OF THE BIRD ELECTRONIC CORPORATION. THE DESIGNS AND SPECIFICATIONS DISCLOSED HEREON ARE PROPRIETARY AND SHALL NOT BE REPRODUCED, NOR COPIED, NOR USED AS THE BASIS FOR THE MANUFACTURE OR SALE OF APPARATUS OR DEVICES WITHOUT THEIR EXPRESS WRITTEN CONSENT.



APPROVALS		DATE	TITLE		
DRAWN	D.M.RINK	4-7-03	FINAL ASS'Y, ATTENUATOR N-TYPE FEMALE/FEMALE, 25W		
CHECKED			SIZE	FSCM NO.	DWG. NO.
APPROVED	<i>MLJ</i>	6-15-03	B	70998	25-A-FFN-XX
FINISH		AUTOCAD	SCALE	COMM CODE	SHEET
			1:1	AT1	1 OF 1